

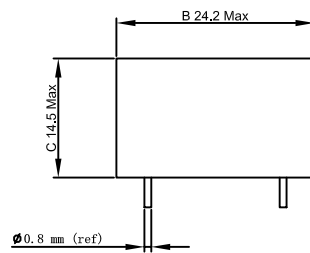
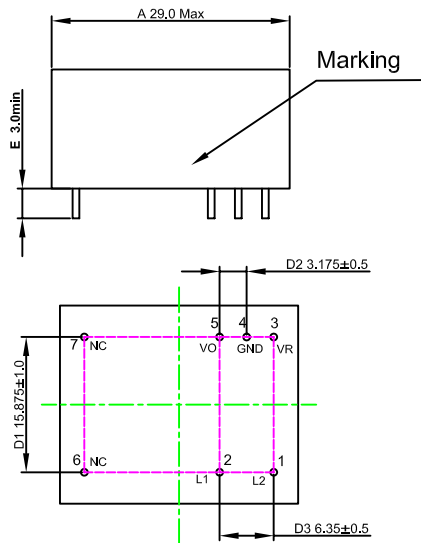
# Switch Mode Power Module BP01 Series

PAGE REV	DESCRIPTION	DATE	BY
A0	CREATED	2014-11-7	Dana
A1	Modify Title And Part NO.The BP01xxxxW To BP01 Series	2015-1-26	Dana
A2	Modify Electrical Specifications	2015-1-27	Dana

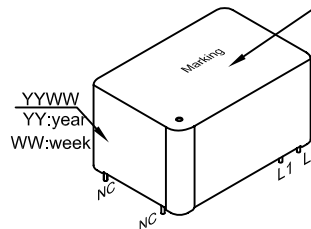
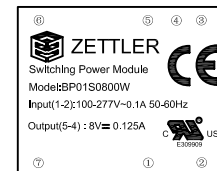
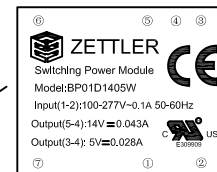
## 1. ELECTRICAL SPECIFICATIONS:

Model No. (Dual Output)	BP01D1403W	BP01D1405W	BP01D0803W	BP01D0805W	BP01S1400W	BP01S0800W	
Max Output Wattage (W)	1W						
Input	Rate Voltage	100-277VAC					
	Voltage Range	90-308 VAC					
	Frequency (Hz)	47-63 Hz					
	POWER LOSS (Full load)	2.5W Max					
	No Load Losses	0.3W Max					
	Inrush Current (<500us)	15A max. (100 VAC) / 25 A max. (240 VAC) (Extra Fuse Resistance FRT1W18RK)					
Output	Voltage 1 (V.DC.)	14.0V	14.0V	8.0V	8.0V	14.0V	8.0V
	Voltage 1 Accuracy (At Full Load)	±5%					
	Current (Output 1)	0.048A	0.043A	0.072	0.042	0.071	0.125
	Voltage 2 (V.DC.)	3.3V	5.0V	3.3V	5.0V		
	Voltage 2 Accuracy (At Full Load)	±5%.					
	Current (Output 2)	0.023A	0.028	0.053	0.083		
Protection	Over Power Protection	Hiccup mode					
	Over Voltage Protection	Hiccup mode					
	Short Circuit Protection	Hiccup mode					
Insulation	Input vs OP1/OP2	3600V/50HZ 5mA 1min (OR 4200VAC/2S)					
	Weight	25g(ref.)					
	Cooling Method	Free air convection					
Safety	Agency Approvals	Series Passed UL Certification For UL60950-1,UL FILE NO.E309909 Refer to IEC60950-1/EN60950-1,IEC61558-1/EN61558-1, EN61558-2-6,EN61558-2-17					
EMC	EMI (Conducted & Radiated Emission)	Compliance With EN 55022 Class B					
	EMS (Noise Immunity)	Compliance With EN 55024,EN55014-1, EN55014-2,EN61000-3-2 Class A,EN61000-3-3					

## 2. MECHANICAL SPECIFICATIONS:



NO.	Pin connect	Function
1	L1	AC Input Line 1
2	L2	AC Input Line 2
3	+VR	Output Regulator Voltage Positive
4	GND	Output Voltage Common Ground
5	+VO	Output Voltage 1 Positive
6	NC	No Connected
7	NC	No Connected



UNIT	MM
3RD ANGLE	
SCALE:	DATA
DRAWN:	Dana 2015-1-27
CHECKED:	
APPROVED:	

# ZETTLER MAGNETICS

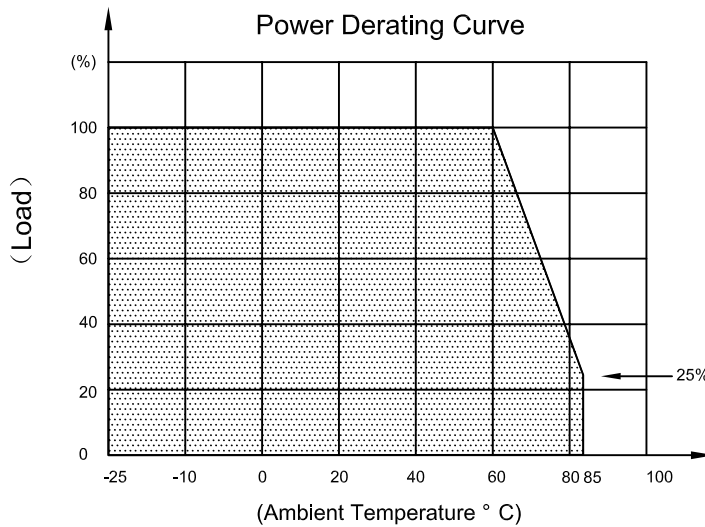
TITLE: BP01 SERIES SWITCH MODE POWER MODULE

PART NO:	ZM Project:	SPEC REV: A/2
BP01 Series	Customers p/n:	SH NO: 1/2

Web: [www.zettlermagnetics.com](http://www.zettlermagnetics.com)  
E-mail: [sales@zettlermagnetics.com](mailto:sales@zettlermagnetics.com)

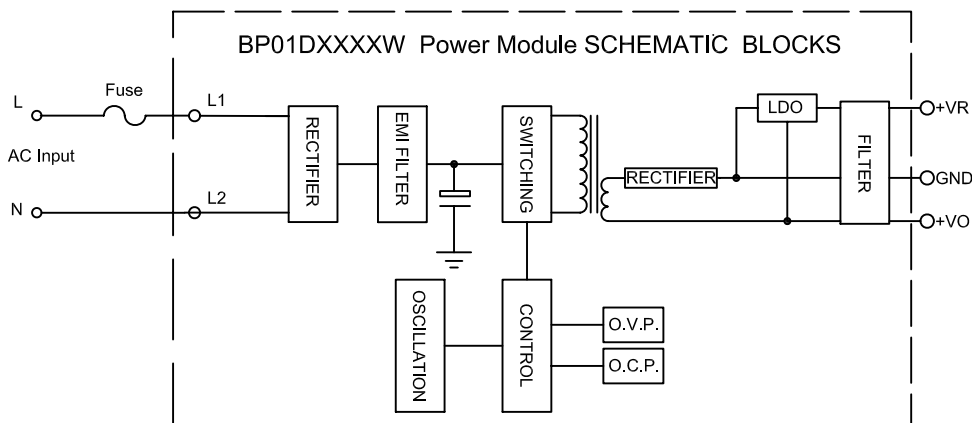
PAGE REV	DESCRIPTION	DATE	BY
A0	CREATED	2014-11-7	Dana
A1	Modify Title And Part NO.The BP01xxxxW To BP01 Series	2015-1-26	Dana
A2	Modify Electrical Specifications	2015-1-27	Dana

### 3. DERATING:

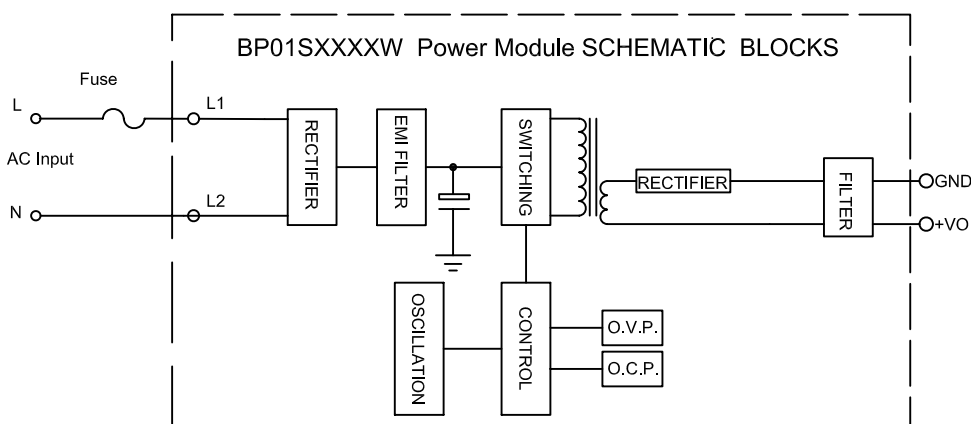


### 4. SCHEMATIC DIAGRAM:

(1)、Double Output



(1)、Single Output



UNIT	MM
3RD ANGLE	
SCALE:	DATA
DRAWN:	Dana 2015-1-27
CHECKED:	
APPROVED:	

# ZETTLER MAGNETICS

TITLE: BP01 SERIES SWITCH MODE POWER MODULE

PART NO:

**BP01 Series**

ZM Project:

Customers p/n:

SPEC REV: A/2

SH NO: 2/2

Web: [www.zettlermagnetics.com](http://www.zettlermagnetics.com)

E-mail: [sales@zettlermagnetics.com](mailto:sales@zettlermagnetics.com)