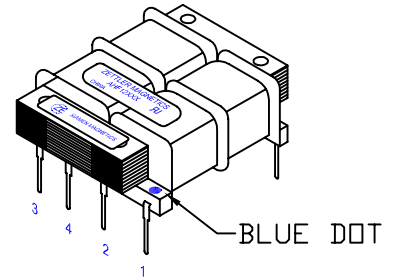


TRANSFORMER, POWER, PCB 12 VA  
 DUAL 115/230V PRIMARY AND DUAL SECONDARY

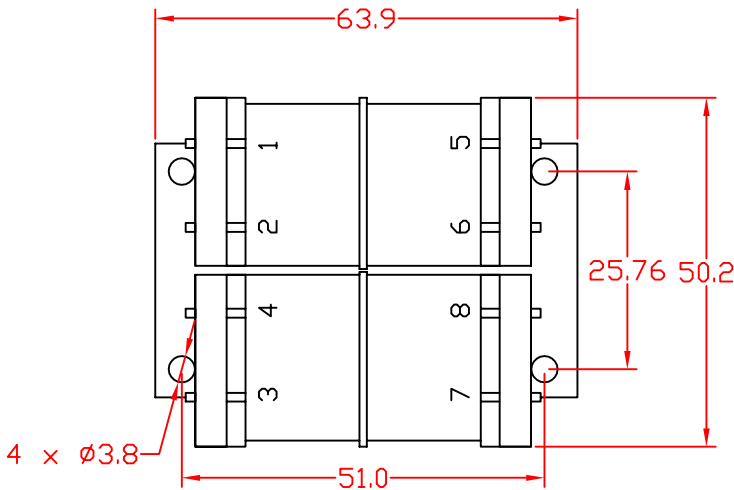
1. ELECTRICAL SPECIFICATIONS:

- A. Maximum Power: 12 VA
- B. Input Voltage and Frequency: 115/230V± 10% @ 50/60Hz
- C. Secondary Voltage: See Electrical Table
- D. Temperature Rise: 45° C MAX allowed
- E. Excitation Current: 50 mA MAX
- F. Hi-Pot: 2500Vrms 1 minute @ Pri. to Sec.  
 1500Vrms 1 minute @ Pri. to Core  
 1500Vrms 1 minute @ Sec. to Core
- G. Safety:

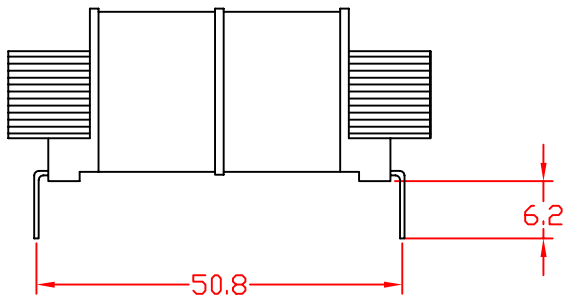
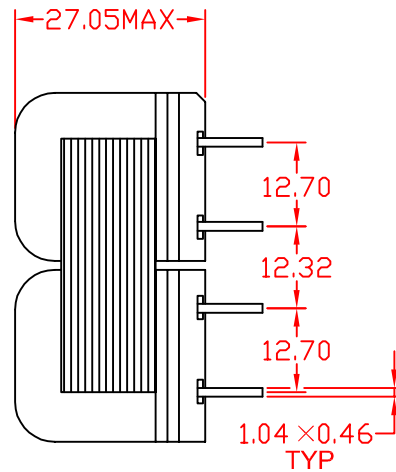
Insulation System ZM-130-5, Class B, UL File No.E177235  
 UL506, General Purpose, US and Canada, File No.E177998



2. MECHANICAL SPECIFICATIONS:



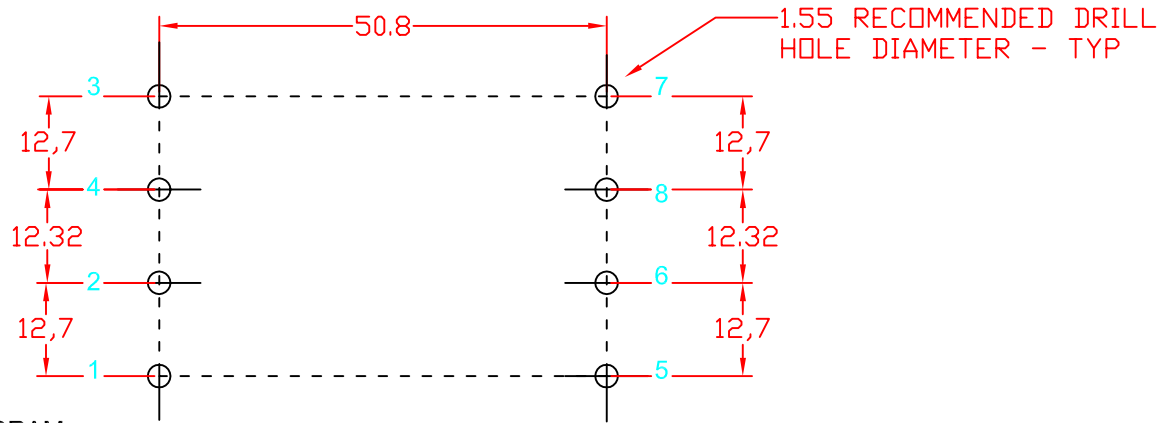
BOTTOM VIEW



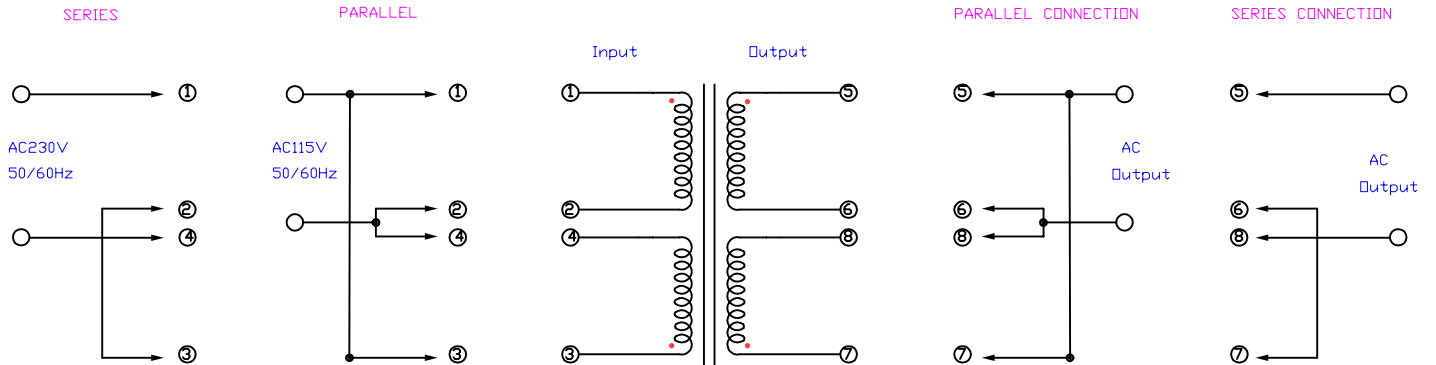
REV.	DESCRIPTION	DRAWN	DATE(M/D/Y)
A	CREATED DRAWING	ZHENG	June 17,2002
A/1	UPDATE DRAWING	WUBX	May 21,2004
A/2	MODIFIED	Winston	Sep 13,2005

TOLERANCE		SCALE NOT 1:1	UNIT mm	DATE (M/D/Y)	MODEL DESCRIPTION	
X	±0.3	DRAWN	ZHENG	June 17,2002	<b>ZETTLER MAGNETICS</b>	MATERIAL Class B 130° C
X.X	±0.2	CHECKED	YUZH	June 17,2002		MODEL: AHF12 SERIES
X.XX	±0.1	APPROVED	Roger Ding	June 17,2002		SHEET: 1 OF 2
THICKNESS	/				TITLE AHF12 SERIES PCD	
REV.	A/2	E:\ACAD\AHF12SERIES\AHF12SERIESPCD				

3. MOUNTING FOOTPRINT:



4. SCHEMATIC DIAGRAM:



5. ELECTRICAL TABLE:

INPUT	SERIES / PARALLEL			
OUTPUT	PARALLEL CONNECTION		SERIES CONNECTION	
PART NO.	AC VOLTS	RMS AMPS	AC VOLTS	RMS AMPS
AHF12010	5V	2.4A	10V	1.2A
AHF12012	6.3V	1.8A	12.6V	0.9A
AHF12016	8V	1.4A	16V	0.7A
AHF12020	10V	1.2A	20V	0.6A
AHF12024	12V	1.0A	24V	0.5A
AHF12030	15V	0.8A	30V	0.4A
AHF12034	17V	0.68A	34V	0.34A
AHF12040	20V	0.6A	40V	0.3A
AHF12056	28V	0.4A	56V	0.2A
AHF12088	44V	0.26A	88V	0.13A
AHF12120	60V	0.2A	120V	0.1A
AHF12230	115V	0.1A	230V	0.05A

REV.	DESCRIPTION	DRAWN	DATE(M/D/Y)
A	CREATED DRAWING	ZHENG	June 17,2002
A/2	MODIFIED	Winston	Sep 13,2005

TOLERANCE	SCALE NOT 1:1	UNIT mm	DATE (M/D/Y)	MODEL DESCRIPTION	
X	± 0.3	DRAWN	ZHENG	<b>ZETTLER MAGNETICS</b> MATERIAL Class B 130° C MODEL: AHF12 SERIES	
X.X	± 0.2	CHECKED	YUZHUY		
X.XX	± 0.1	APPROVED	Roger Ding		
THICKNESS	/			TITLE <b>AHF12 SERIES PCD</b>	
REV.	A2	E:\ACAD\VAHF12SERIES\VAHF12SERIESPCD			SHEET: 2 OF 2